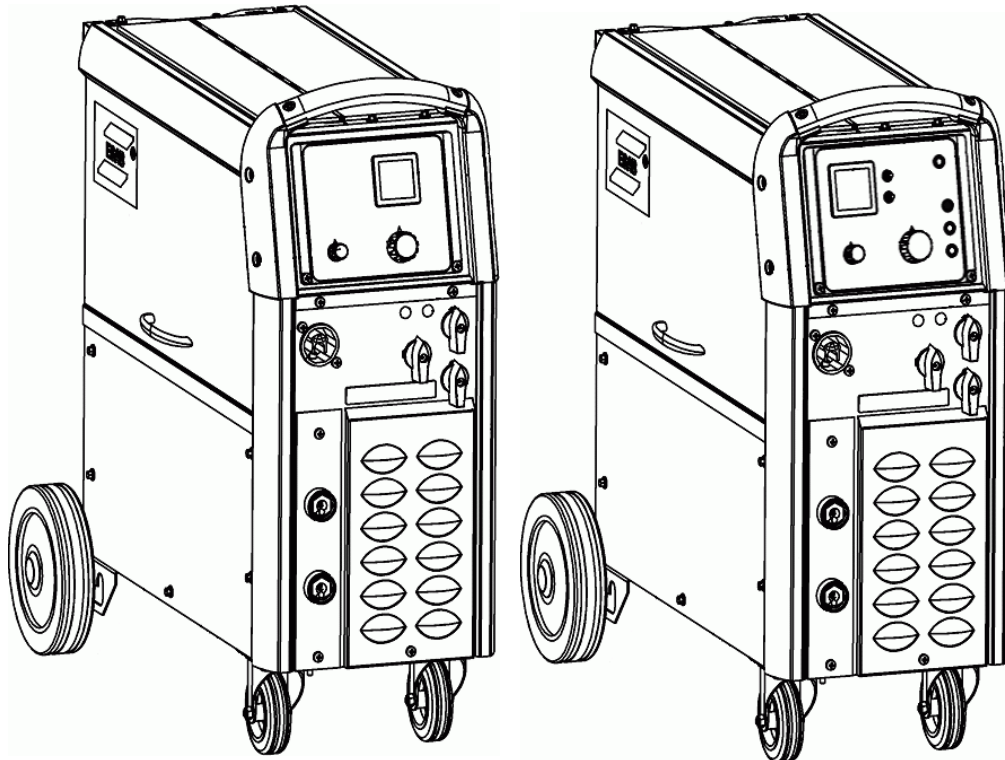


Spare parts list



Valid for serial no. 310-xxx-xxxx

Ordering number

0349 304 657	ESABMig C240	400-415V 3~50/60Hz (welding gun PSF 250, 3m)
0349 304 658	ESABMig C240	230V 3~50/60Hz (welding gun PSF 250, 3m)
0349 304 659	ESABMig C240s	400-415V 3~50/60Hz (welding gun PSF 250, 3m)
0349 304 660	ESABMig C240s	230V 3~50/60Hz (welding gun PSF 250, 3m)
0349 305 983	ESABMig C240	400-415V 3~50/60Hz (welding gun PSF 250, 4,5m)
0349 305 984	ESABMig C240	230V 3~50/60Hz (welding gun PSF 250, 4,5m)
0349 305 986	ESABMig C240s	400-415V 3~50/60Hz (welding gun PSF 250, 4,5m)
0349 305 986	ESABMig C240s	230V 3~50/60Hz (welding gun PSF 250, 4,5m)

Spare parts are to be ordered through the nearest ESAB agency. Kindly indicate type of unit, serial number, denominations and ordering numbers according to the spare parts list.

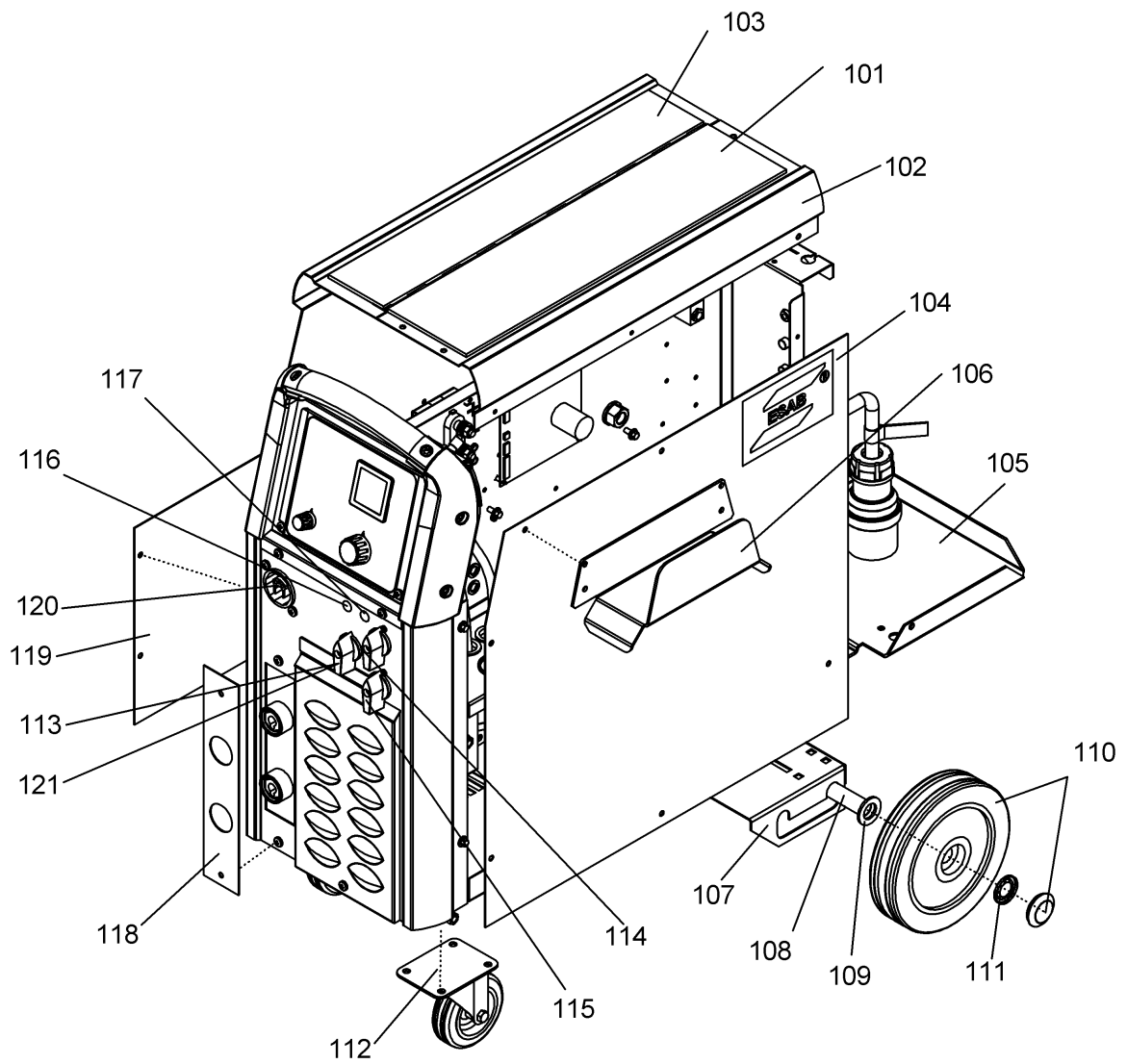
Maintenance and repair work should be performed by an experienced person, and electrical work only by a trained electrician. Use only recommended spare parts.

ESABMig C240, ESABMig C240s

(A) = accessory
C = component designation in the circuit diagram

Item	Qty C240 400-415V	Qty C240 230V	Qty C240s 400-415V	Qty C240s 230V	Ordering no.	Denomination	Notes	C
101	1	1	1	1	0349 302 450	Rubber mat		
102	1	1	1	1	0349 302 401	Cover		
103	1	1	1	1	0349 302 449	Rubber mat		
104	1	1	1	1	0349 302 375	Side panel with text	right	
105	1	1	1	1	0349 302 453	Shelf		
106	1	1	1	1		Holder (A)		
107	1	1	1	1	0349 302 318	Clamp		
108	1	1	1	1	0349 480 311	Shaft		
109	2	2	2	2	0349 481 044	Washer	∅ 21	
110	2	2	2	2	0455 457 001	Wheel	∅ 200	
111	2	2	2	2	0192 859 126	Locking washer		
112	2	2	2	2	0349 483 461	Link wheel	∅ 100	
113	1	1	1	1	0349 302 305	Switch		
114	1	-	-	-	0349 302 105	Switch	7 step	
	-	1	-	-	0349 302 183	Switch	7 step	
	-	-	1	-	0349 302 114	Switch	7 step	
	-	-	-	1	0349 302 185	Switch	7 step	
115	1	-	-	-	0349 302 106	Switch	3 step	
	-	1	-	-	0349 302 182	Switch	3 step	
	-	-	1	-	0349 302 115	Switch	3 step	
	-	-	-	1	0349 302 184	Switch	3 step	
116	1	1	1	1	0369 733 005	Signal lamp	orange	
117	1	1	1	1	0369 733 007	Signal lamp		
118	1	1	1	1	0349 302 378	OKC plate		
119	1	1	1	1	0349 302 431	Side panel		
120	1	1	1	1	0455 890 881	Feeder mechanism		
121	1	1	1	1	0349 302 253	Knob		

ESABMig C240, ESABMig C240s

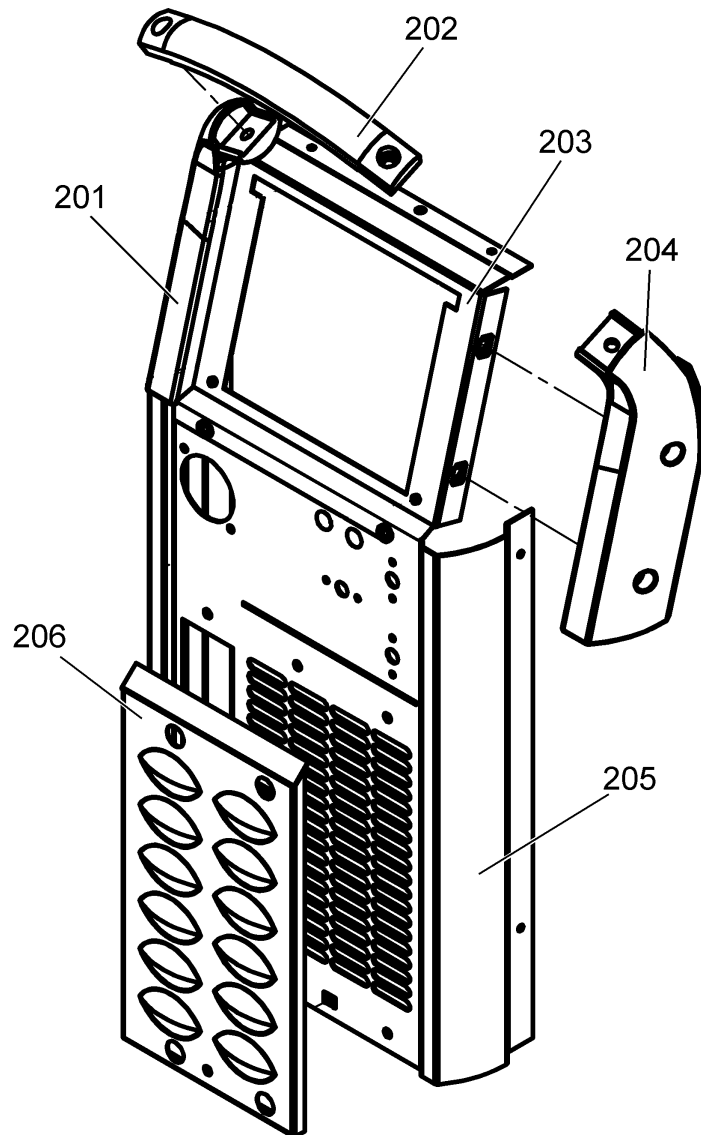


ESABMig C240, ESABMig C240s

(A) = accessory

C = component designation in the circuit diagram

Item	Qty C240 400-415V 230V	Qty C240s 400-415V 230V	Ordering no.	Denomination	Notes	C
201	1	1	0349 302 282	Left corner		
202	1	1	0349 302 327	Handle		
203	1	1	0349 302 325	Upper front panel		
204	1	1	0349 302 283	Right corner		
205	1	-	0349 302 324	Lower front plate with text		
206	-	1	0349 302 884	Lower front plate with text		
207	1	1	0349 302 326	Grill		



ESABMig C240, ESABMig C240s

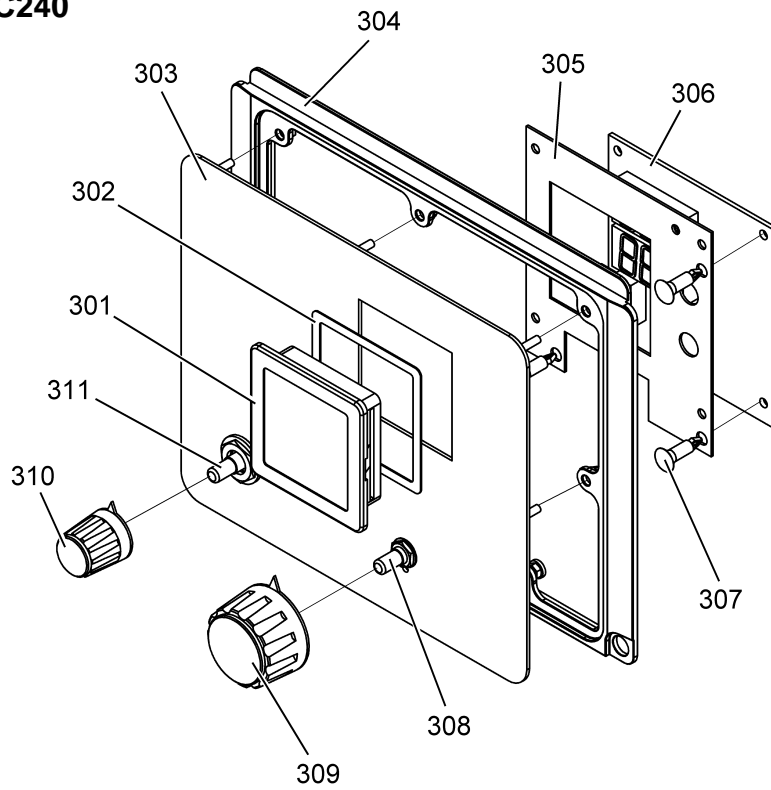
(A) = accessory

C = component designation in the circuit diagram

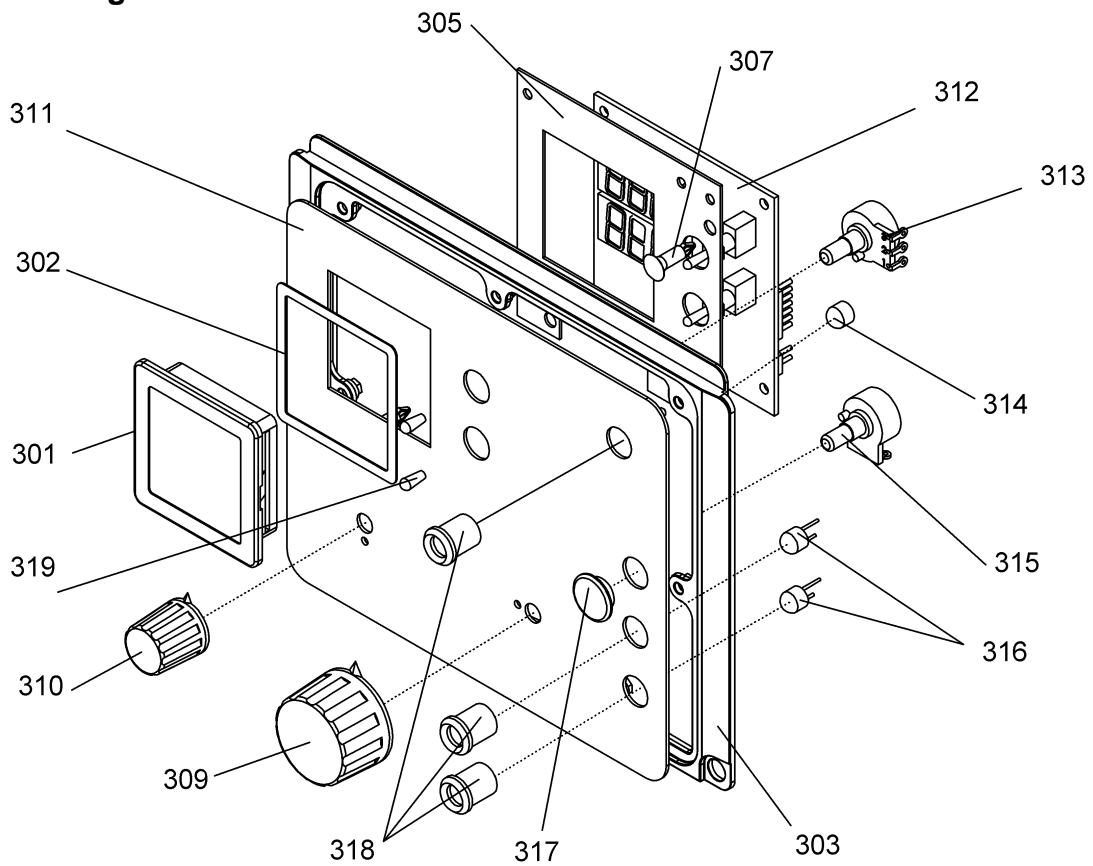
Item	Qty C240 400-415V	Qty C240 230V	Qty C240s 400-415V	Qty C240s 230V	Ordering no.	Denomination	Notes	C
301	1	1	1	1	0455 172 001	Glass		
302	1	1	1	1	0455 174 001	Seal		
303	1	1	-	-	0349 302 330	Panel		
304	1	1	1	1	0459 118 002	Protection frame		
305	1	1	1	1	0349 302 287	Plate		
306	1	1	-	-		Circuit-board (A)		
307	3	3	3	3	0455 226 004	Spacer		
308	1	1	-	-	0349 303 074	Potentiometr		
309	1	1	1	1	0321 475 882	Knob		
310	1	1	1	1	0321 475 881	Knob		
311	1	1	-	-	0349 303 232	Potentiometer		
312	-	-	1	1	0349 303 193	Circuit board		
313	-	-	1	1	0349 304 719	Potentiometer		
314	-	-	1	1	0349 303 072	Diode green/red		
315	-	-	1	1	0349 304 720	Potentiometer		
316	-	-	1	1	0349 303 073	Diode green		
317	-	-	1	1	0349 304 721	Blind plug		
318	-	-	3	3	0457 290 003	LED holder		

ESABMig C240, ESABMig C240s

ESABMig C240



ESABMig C240s

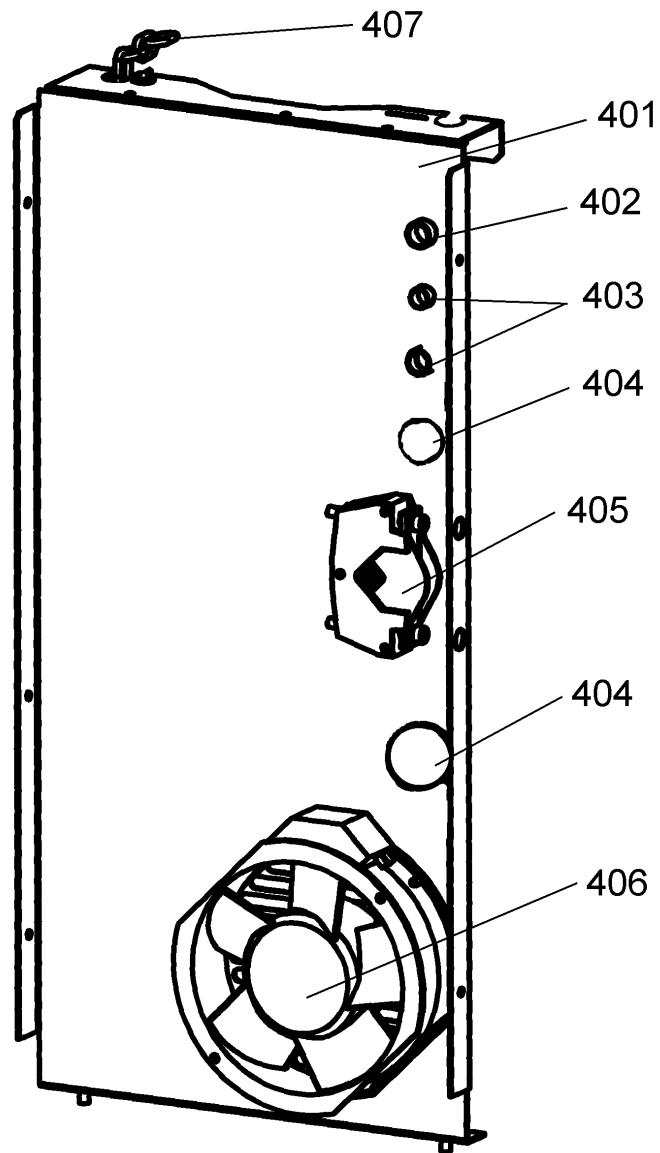


ESABMig C240, ESABMig C240s

(A) = accessory

C = component designation in the circuit diagram

Item	Qty C240 400-415V 230V	Qty C240s 400-415V 230V	Ordering no.	Denomination	Notes	C
401	1	1	0349 302 321	Rear panel		
402	1	1	0349 490 192	Bushing		
403	2	2		Blind plug	∅ 13	
404	2	2		Blind plug	∅ 30	
405	1	1	0469 950 880	Cable inlet		
406	1	1	0349 483 510	Fan		
407	1	1	0321 173 001	Securing chain		



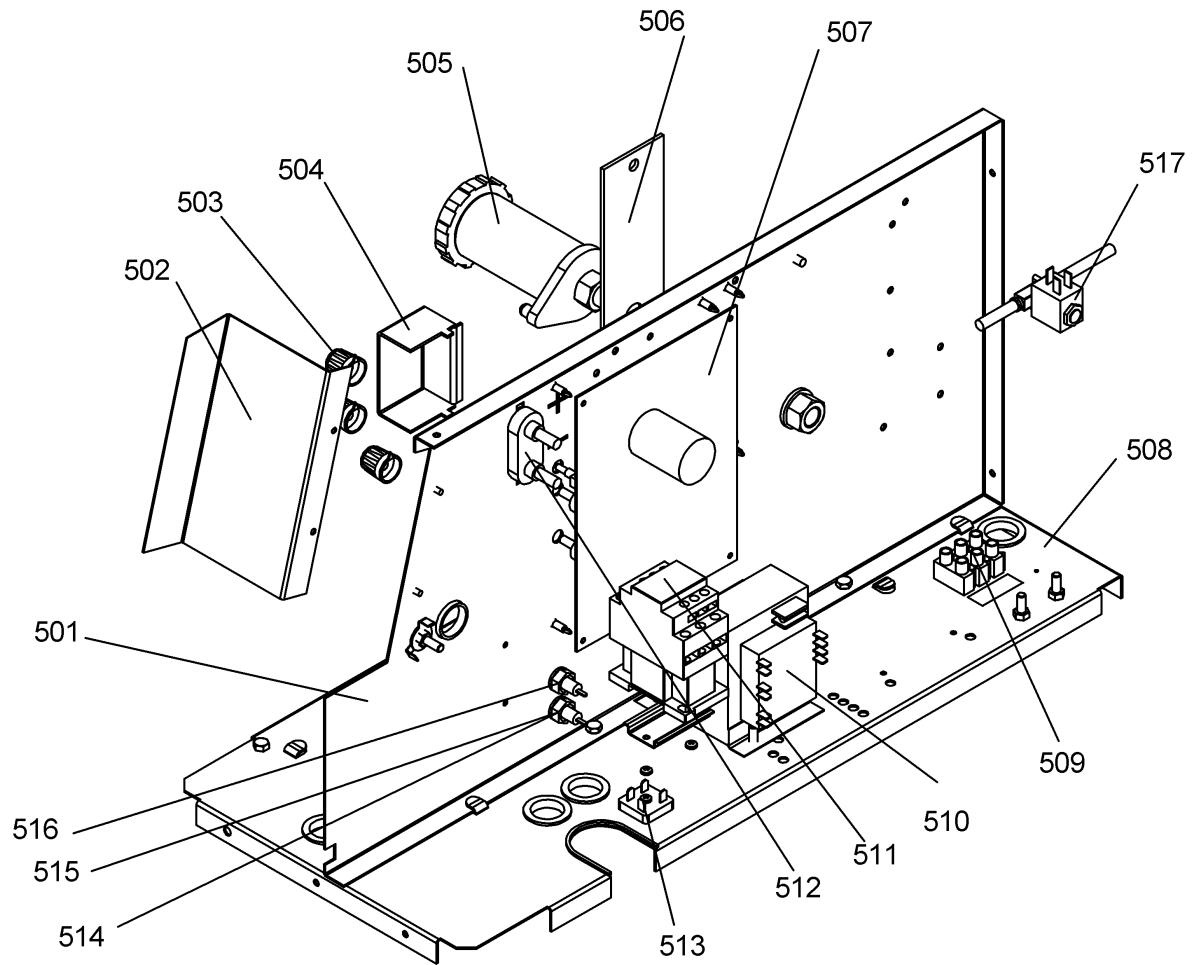
ESABMig C240, ESABMig C240s

(A) = accessory

C = component designation in the circuit diagram

Item	Qty C240 400-415V	Qty C240 230V	Qty C240s 400-415V 230V	Ordering no.	Denomination	Notes	C
501	1	1	1	0349 302 366	Centre plate		
502	1	1	1	0349 302 367	Cover		
503	-	-	3	0349 486 684	Knob		
504	1	1	1	0349 491 163	Cover		
505	1	1	1	0146 967 881	Brake hub		
506	1	1	1	0469 524 001	Support		
507	1	1	-	0487 288 881	Circuit board		
	-	-	1	0349 304 312	Circuit board		
508	1	1	1	0349 302 338	Intermediate plate		
509	1	1	1	0162 781 002	Terminal		
510	1	1	-	0455 638 001	Transformer		
	-	-	1	0349 302 096	Transformer		
511	1	-	-	0193 922 001	Contactactor		
	-	1	-	0913 502 101	Contactactor		
	-	-	1	0349 302 187	Contactactor		
512	1	1	1	0455 635 001	Terminal blok		
513	-	-	1	0457 290 046	Bridge		
514	-	-	2	0457 290 047	Fuse holder		
515	-	-	1	0349 302 086	Fuse 2,5A		
516	-	-	1	0349 302 087	Fuse 6,3A		
517	1	1	1	0349 483 648	Gas valve		

ESABMig C240, ESABMig C240s



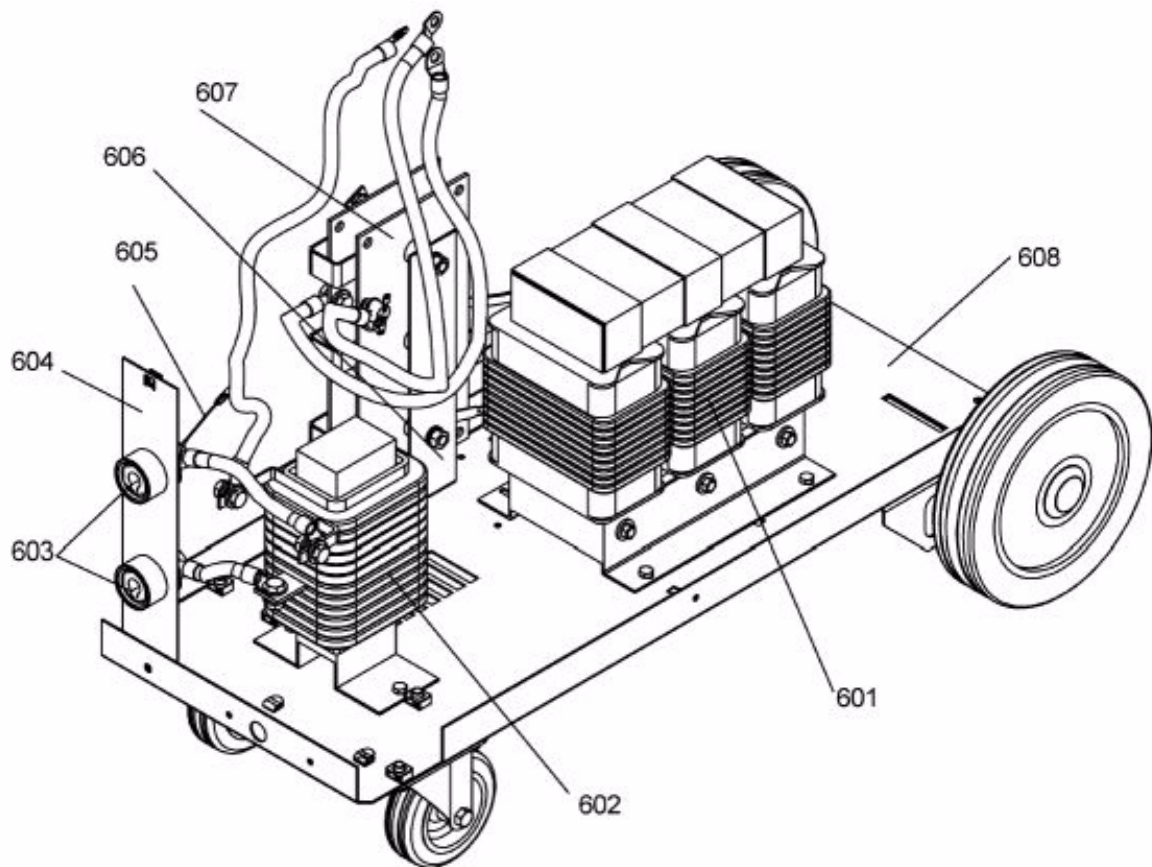
ESABMig C240, ESABMig C240s

(A) = accessory

C = component designation in the circuit diagram

Item	Qty C240 400-415V	Qty C240 230V	Qty C240s 400-415V	Qty C240s 230V	Ordering no.	Denomination	Notes	C
601	1	-	-	-	0349 304 541	Transformer		
	-	1	-	-	0349 304 542	Transformer		
	-	-	1	-	0349 304 543	Transformer		
	-	-	-	1	0349 304 544	Transformer		
602	1	1	1	1	0349 302 108	Inductor		
603	2	2	2	2	0160 362 881	Current terminal		
604	1	1	1	1	0349 302 348	Plate		
605	1	1	1	1	0349 302 352	Capacitor		
606	1	1	1	1	0349 302 354	Bracket		
607	1	1	1	1	0349 302 382	Diode bridge		
608	1	1	1	1	0349 302 317	Base frame		

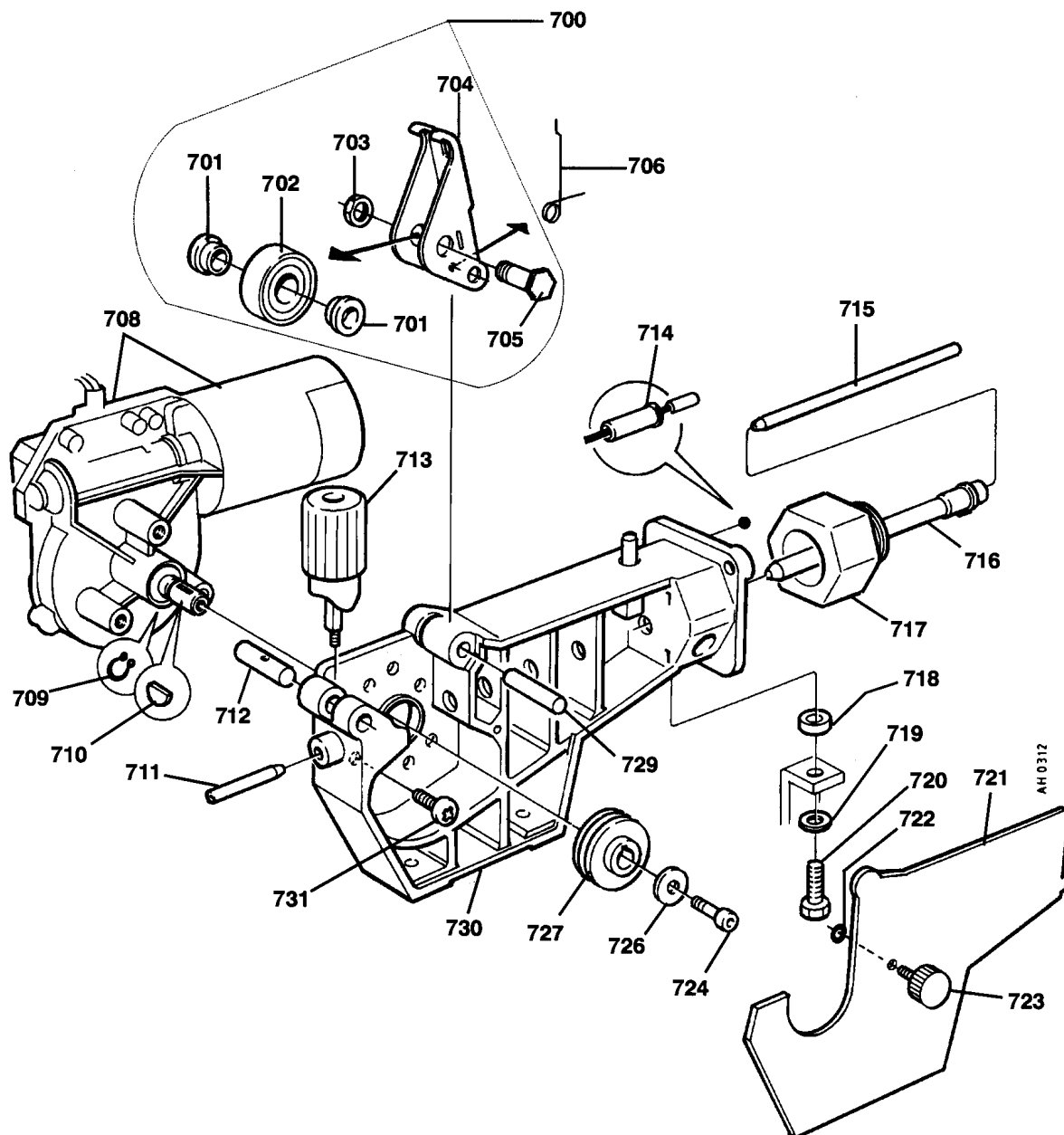
ESABMig C240, ESABMig C240s



ESABMig C240, ESABMig C240s

C = component designation in the circuit diagram

Item	Qty	Ordering no.	Denomination	Notes	C
-	1	0455 890 888	Wire feed mechanism		
700	1	0367 529 001	Pressure arm		
701	1	0455 906 001	Spacer sleeve		
702	1	0455 907 001	Pressure roller		
	1	0466 262 001	Pressure roller	Knurled	
703	1		Nut	SGA D8	
704	1		Holder		
705	1		Shaft		
706	1	0455 896 001	Spring		
708	1	0466 489 001	Drive unit		M1
709	1	0215 701 007	Locking washer	Included in item 708	
710	1	0191 496 114	Key	Included in item 708	
711	1	0466 074 001	Inlet nozzle		
712	1	0367 528 001	Pin bolt		
713	1	0368 749 880	Pressure transducer		
714	2	0368 750 001	Insulating sleeve		
715a	1	0455 894 001	Insert tube	Plastic, must be used together with item 716a. For welding with Al wire.	
715b	1	0455 889 001	Insert tube	Steel, must be used together with item 716b.	
716a	1	0455 885 001	Outlet nozzle	Must be used together with item 715a. For welding with Al wire.	
716b	1	0455 886 001	Outlet nozzle	Must be used together with item 715b.	
717	1	0455 882 001	Current sleeve		
718	1	0455 883 001	Spacer sleeve	Ø 16/8.2x0.9	
719	1		Washer	Ø 16/8.4x1.5	
720	1		Screw	M8x20	
721	1	0455 881 001	Protection plate		
722	1	0215 201 202	O-ring		
723	1	0455 898 001	Screw	M5x12	
724	1		Screw	M4x12	
726	1	0193 104 002	Washer		
727	1	0367 556 001	Feed roller	Ø 0.6-0.8mm Fe, Ss, cored wire.	
	1	0367 556 002	Feed roller	Ø 0.8-1.0mm Fe, Ss, cored wire.	
	1	0367 556 006	Feed roller	Ø 1.0-1.2mm cored wire.	
	1	0367 556 004	Feed roller	Ø 1.0-1.2mm Al wire.	
729	1	0455 893 001	Shaft		
730	1	0455 884 001	Gear housing		
731	3		Screw	M6x16	



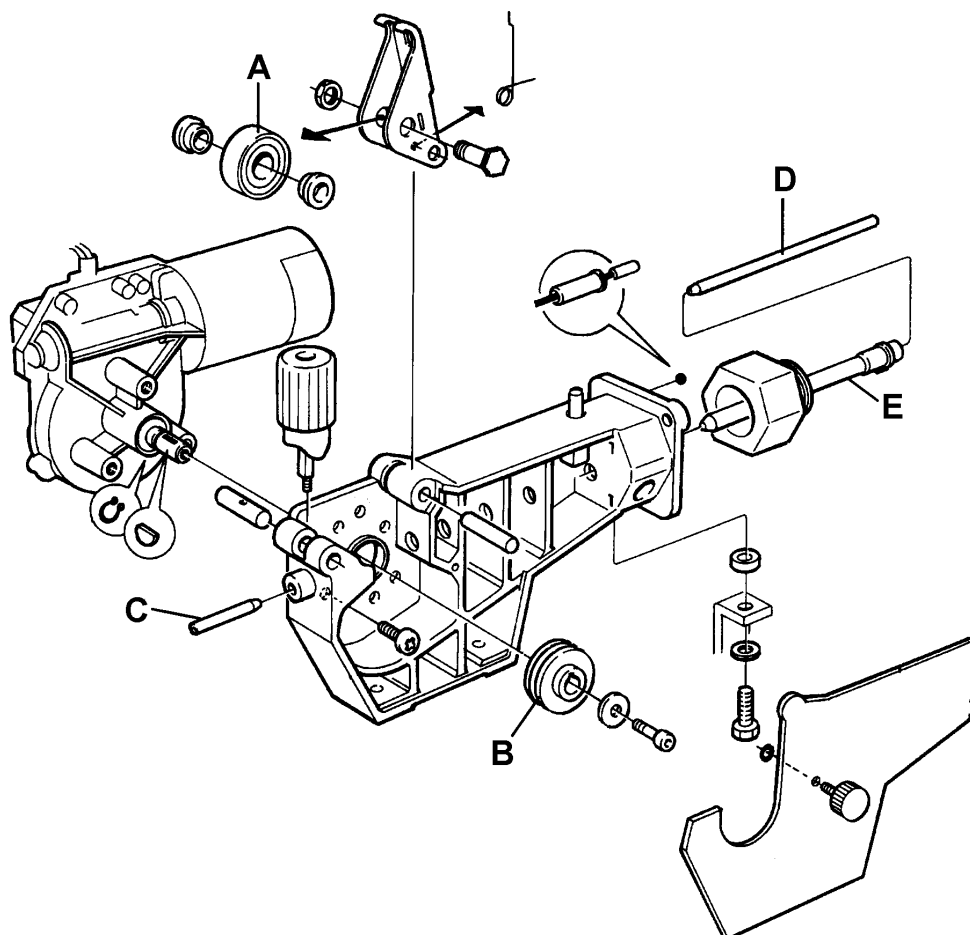
ESABMig C240, ESABMig C240s

Wear components

W. F. Mechanism 0455 890 888

Item	Denomination	Ordering no.	Notes
A	Pressure roller	0455 907 001	
B	Feed roller	0367 556 001 0367 556 002 0367 556 006 0367 556 004	Ø 0.6-0.8mm Fe, Ss, cored wire. Ø 0.8-1.0mm Fe, Ss, cored wire. Ø 1.0-1.2mm cored wire. Ø 1.0-1.2mm Al wire.
C	Inlet nozzle	0466 074 001	
D	Insert tube	0455 894 001 0455 889 001	Plastic, must be used together with item 0455 885 001, for welding with Al wire. Steel, must be used together with item 0455 886 001.
E	Outlet nozzle	0455 885 001 0455 886 001	Must be used together with item 0455 894 001, for welding with Al wire. Must be used together with item 0455 889 001.

The rollers are marked with wire dimension in mm, some are also marked with inch.



Welding with aluminium wires.

In order to weld with aluminium wires, proper rollers, nozzles and liners for aluminium wires **MUST** be used. It is recommended to use 3m long welding gun for aluminium wires, equipped with appropriate wear parts.